

Preliminary Design

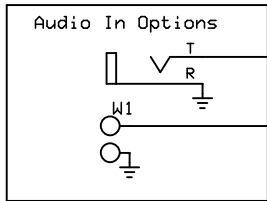
Note: This design is small enough to fit in some speaker enclosures.

Program Jumper configuration on back of Ckt Bd

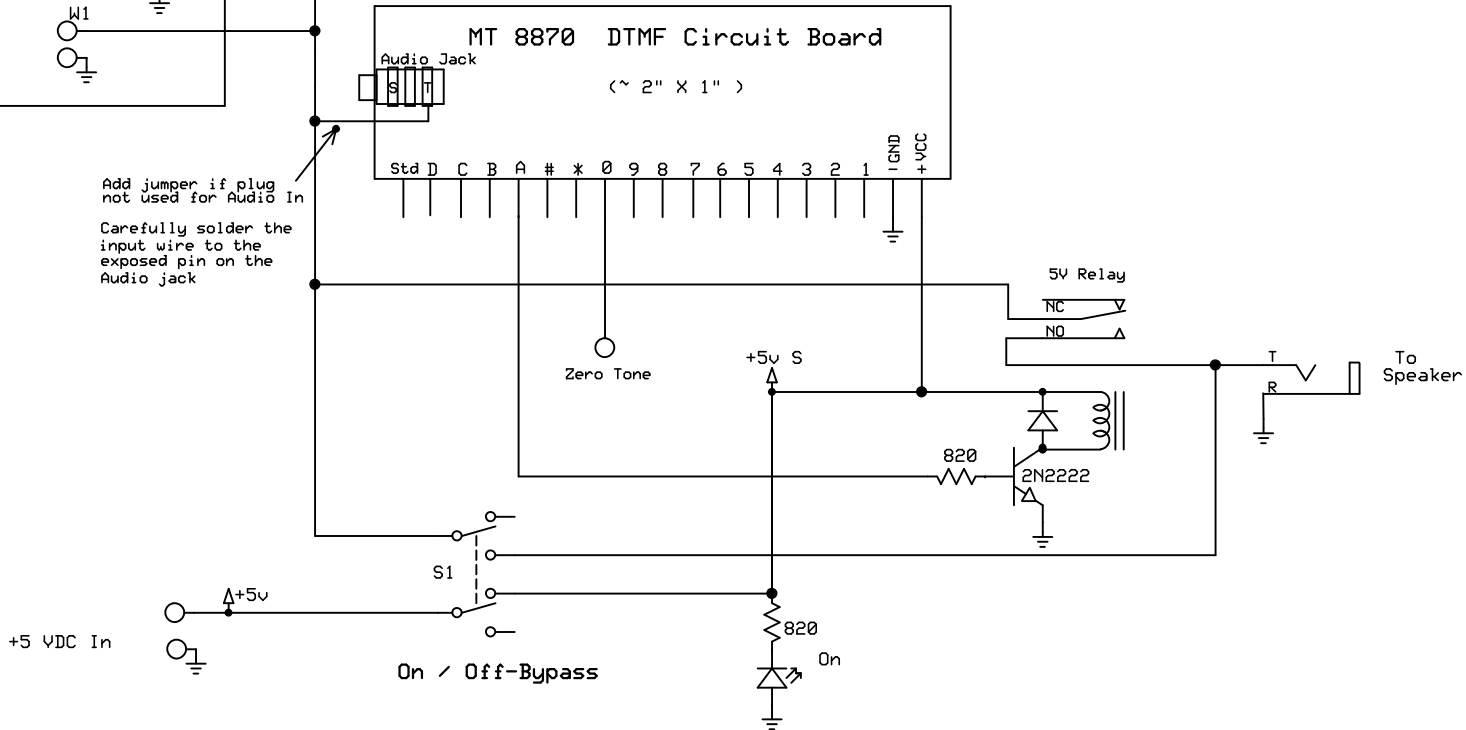
M2

M1

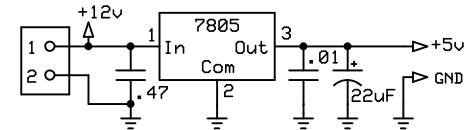
M0



Add jumper if plug not used for Audio In
Carefully solder the input wire to the exposed pin on the Audio jack



Optional Power Supply for 12 VDC use



OPERATION:

When in Off/Bypass the Audio goes directly to the output. The Decoder is off.
When ON, the Decoder is activated and if an A-Tone is detected the relay is energized and the audio is routed to the output.
Switch shown in the ON position.
MT8870 Circuit Board available from Amazon.

N5TIM		
New A-Tone Decoder		
Designer's name	Rev 1.0	Page # or name
	7/6/2022	